

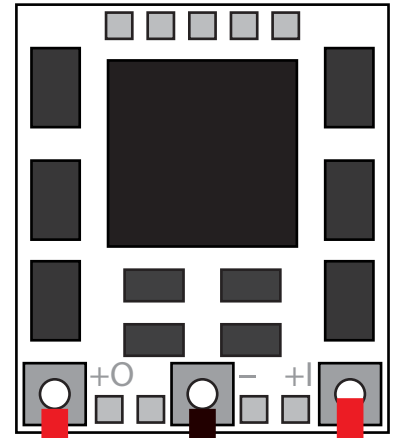
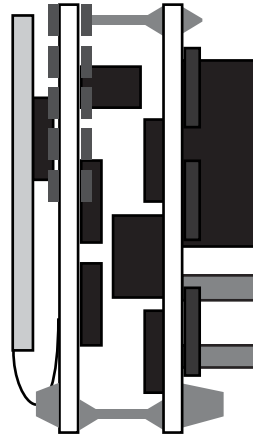
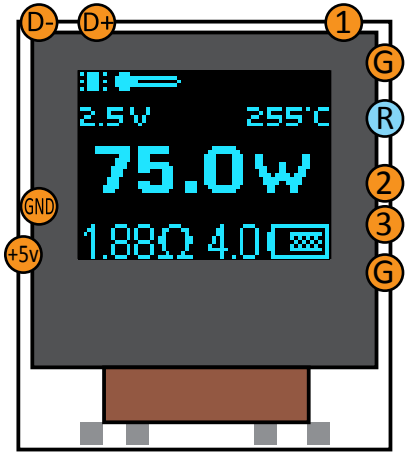


COMPACT LINEAR POWER CHIP WITH TEMPERATURE CONTROL
v. 1.41



Pinout and Mechanical Dimensions

Pinout



Buttons

- G** Buttons -
- R** Reset Button. Not wired. Used only for update firmware when not able to disconnect battery.
- 1** Fire Button +
- 2** Button Up +
- 3** Button Down +

OUT +
To atomizer

-
Common
GND for
atomizer
and battery

IN +
To battery

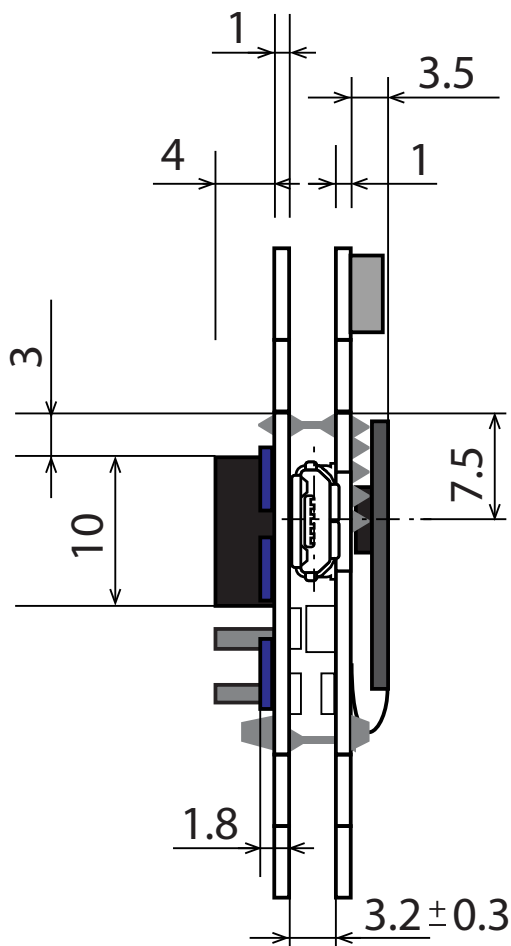
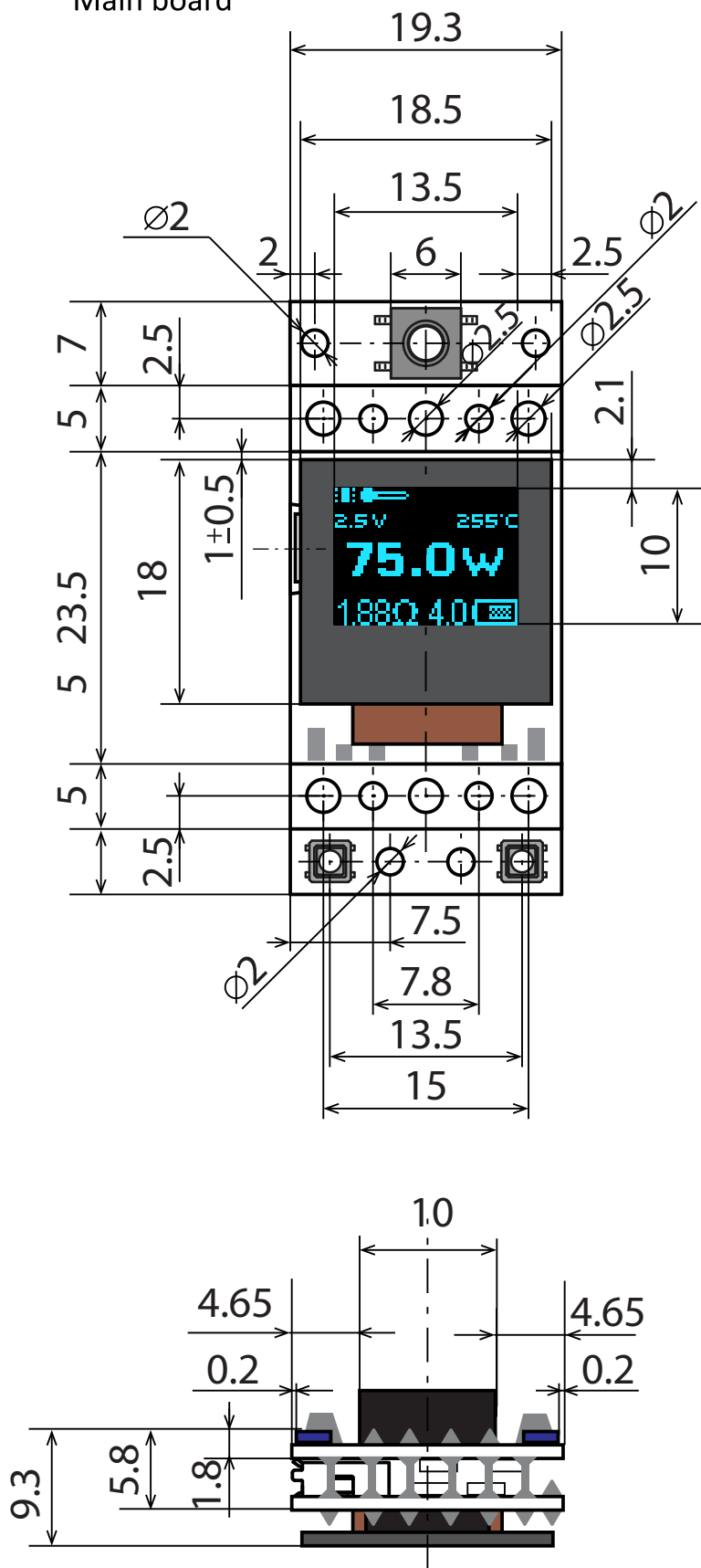
External USB connector (optional)

You can use any standart external USB connector or USB Extension Cable.

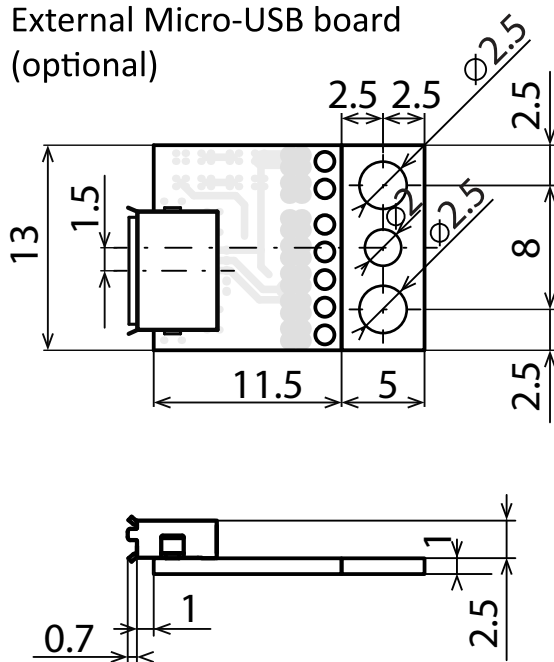
- D+** USB Data +
- D-** USB Data -
- +5v** USB Vcc
- GND** USB Ground

Mechanical Dimensions, mm

Main board



External Micro-USB board (optional)



Installation notes

- You may remove button plates from top and/or bottom of board to make size smaller.
- You may remove unused mounting plates from top and/or bottom of board to make size smaller.

Safety information

Very important!

- Do not heat a display above 60° C (140° F) ever for short time.
Do not use hot glue gun or soldering iron near display.
Overheating will cause a loss of display luminosity. All oled display fear of high temperature.
- Be careful with display wire.
- Do not spill liquids on board.